



CARBURETTOR / CARBURATEUR
Tillotson HW-31A

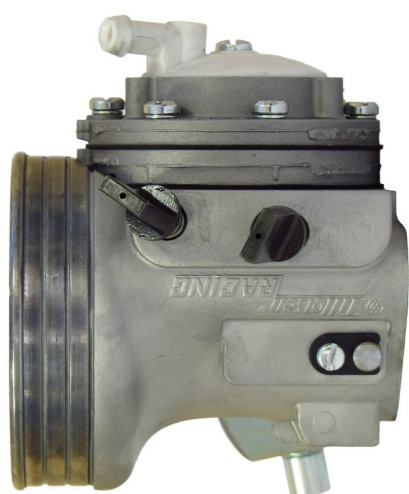


PHOTO OF ADJUSTING SIDE
 PHOTO CÔTÉ RÉGLAGE

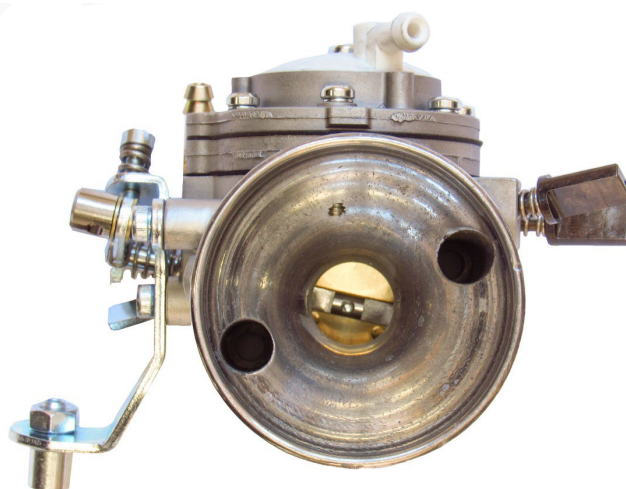
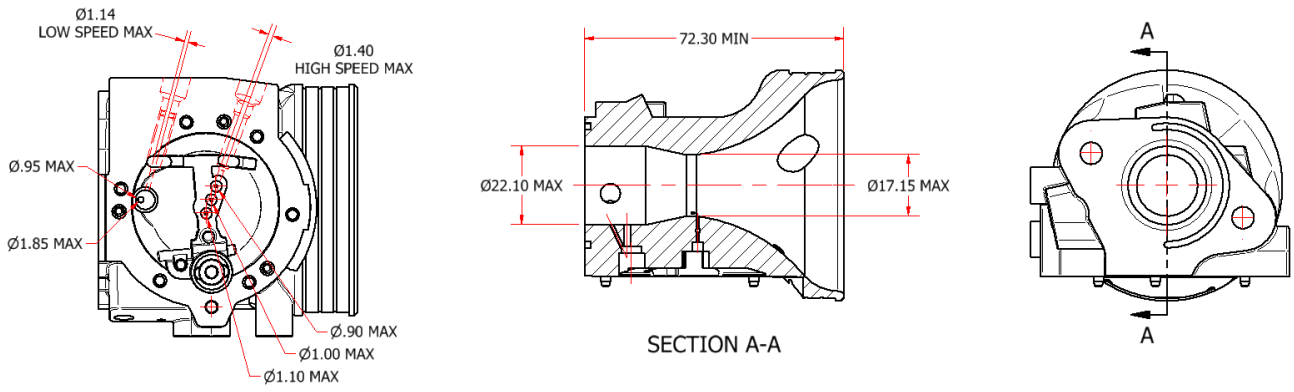


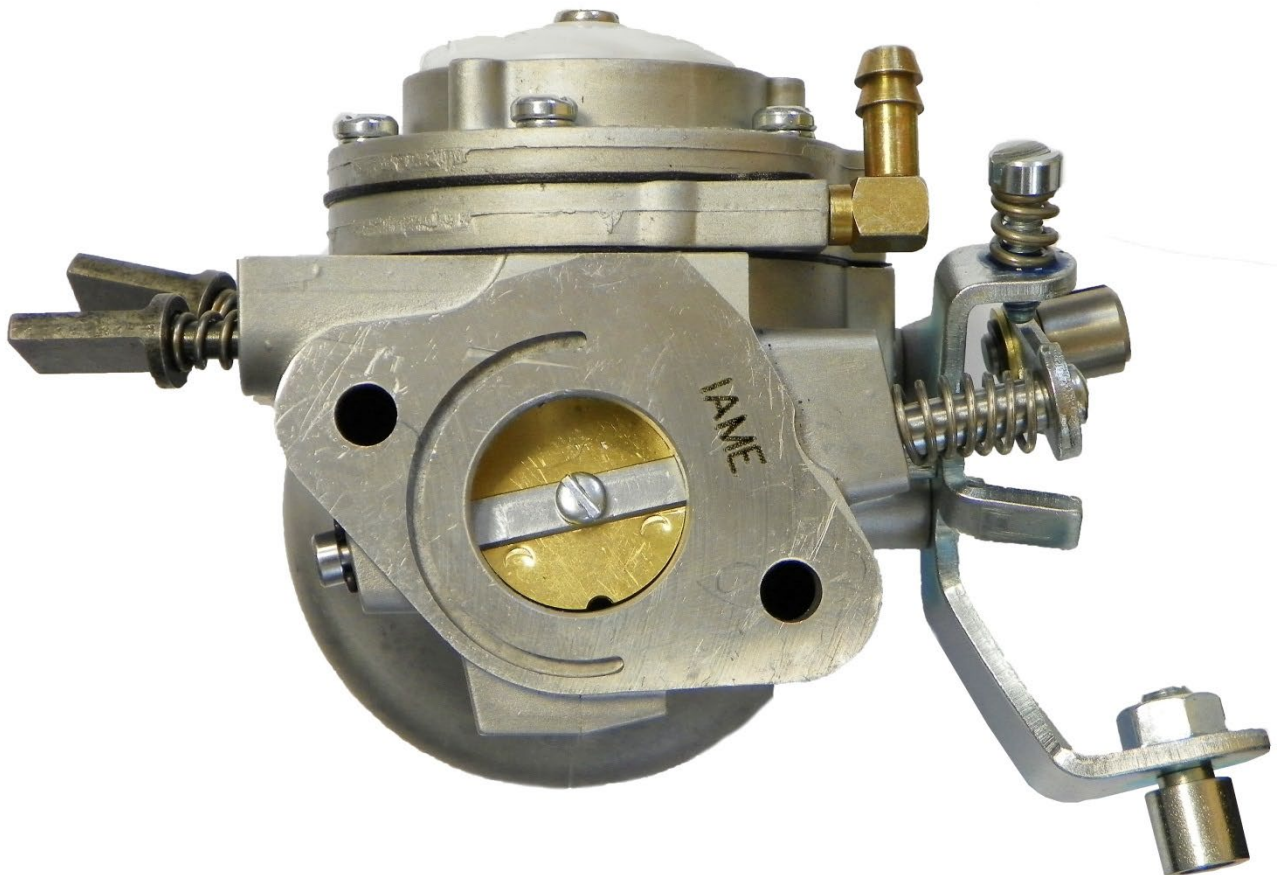
PHOTO OF INLET SIDE
 PHOTO CÔTÉ ASPIRATION

Manufacturer - <i>Constructeur</i>	TILLOTSON LTD.
Make - <i>Marque</i>	TILLOTSON
Model - <i>Modèle</i>	HW-31A

SECTION VIEW – VUE DE SECTION AVEC DIMENSIONS

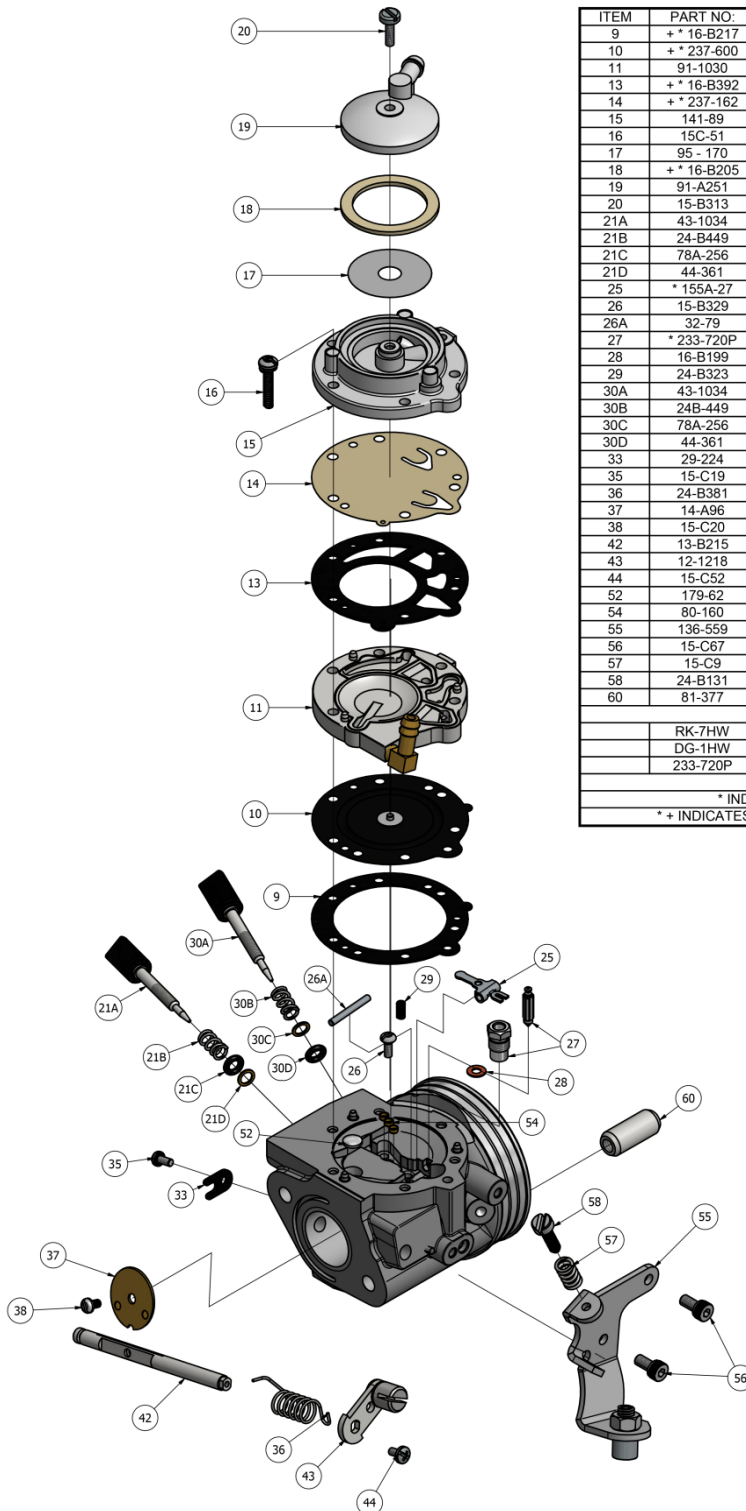


“IAME” MARKING – MARQUAGE “IAME”



CARBURETTOR - DESCRIPTION AND SKETCH OF PARTS CARBURATEUR - DESCRIPTION ET DESSIN DES PIÈCES

HW-31A



ITEM	PART NO.	DESCRIPTION	QTY
9	+ * 16-B217	DIAPHRAGM GASKET	1
10	+ * 237-600	DIAPHRAGM	1
11	91-1030	DIAPHRAGM COVER	1
13	+ * 16-B392	FUEL PUMP GASKET	1
14	+ * 237-162	FUEL PUMP DIAPHRAGM	1
15	141-89	FUEL PUMP BODY	1
16	15C-51	FUEL PUMP BODY SCREW	6
17	95 - 170	FUEL STRAINER SCREEN	1
18	+ * 16-B205	FUEL STRAINER COVER GASKET	1
19	91-A251	FUEL STRAINER COVER	1
20	15-B313	FUEL STRAINER COVER RETAINING SCREW	1
21A	43-1034	IDLE MIXTURE SCREW	1
21B	24-B449	IDLE MIXTURE SCREW SPRING	1
21C	78A-256	IDLE MIXTURE SCREW WASHER	1
21D	44-361	IDLE MIXTURE SCREW PACKING	1
25	* 155A-27	INLET CONTROL LEVER	1
26	15-B329	FULCRUM LEVER SCREW	1
26A	32-79	FULCRUM LEVER PIN	1
27	* 233-720P	INLET NEEDLE & SEAT SET	1
28	16-B199	INLET SEAT GASKET	1
29	24-B323	INLET TENSION SPRING	1
30A	43-1034	HIGH SPEED MIXTURE SCREW	1
30B	24B-449	HIGH SPEED MIXTURE SCREW SPRING	1
30C	78A-256	HIGH SPEED MIXTURE SCREW WASHER	1
30D	44-361	HIGH SPEED MIXTURE SCREW PACKING	1
33	29-224	THROTTLE SHAFT CLIP	1
35	15-C19	THROTTLE SHAFT CLIP RETAINING SCREW	1
36	24-B381	THROTTLE RETURN SPRING	1
37	14-A96	THROTTLE SHUTTER	1
38	15-C20	THROTTLE SHUTTER SCREW	1
42	13-B215	THROTTLE SHAFT	1
43	12-1218	THROTTLE LEVER ASSEMBLY	1
44	15-C52	THROTTLE LEVER RETAINING SCREW	1
52	179-62	WELCH PLUG	1
54	80-160	MAIN PLUG	3
55	136-559	CABLE BRACKET	1
56	15-C67	CABLE BRACKET RETAINING SCREW	2
57	15-C9	LIMITER SCREW	2
58	24-B131	LIMITER SPRING	2
60	81-377	CARBURETTOR MOUNTING NUT	2
	RK-7HW	REPAIR KIT	
	DG-1HW	DIAPHRAGM & GASKET (STANDARD)	
	233-720P	INLET NEEDLE & SEAT SET	
* INDICATES CONTENTS OF REPAIR KIT			
* + INDICATES CONTENTS OF DIAPHRAGM & GASKET SET			

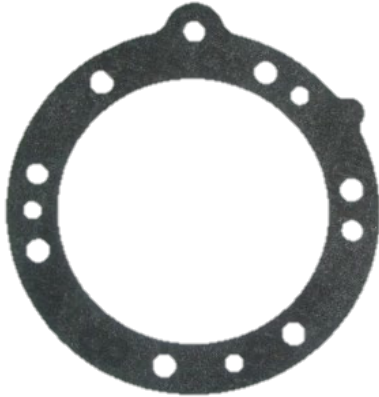


Clash Industrial Estate - Tralee - Ireland
www.tillotson-racing.com



PARTS OF CARBURETTOR – PIÈCES DU CARBURATEUR

REF.9 - P. N°16-B217
DIAPHRAGM GASKET
JOINT DE DIAPHRAGME



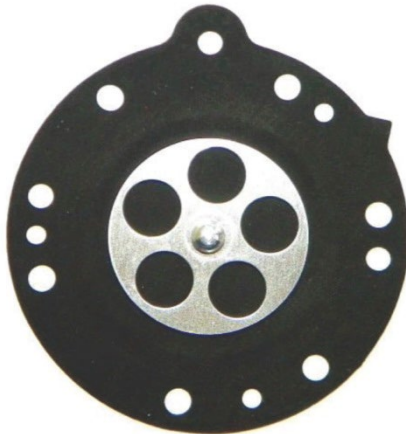
Thickness / Epaisseur = 0.5 ± 0.1 mm

REF.13 - P. N° 16-B392
PUMP DIAPHRAGM GASKET
JOINT DE POMPE A ESSENCE



Thickness / Epaisseur = 0.8 ± 0.1 mm

REF.10 - P. N°237-600
DIAPHRAGM
DIAPHRAGME ASSEMBLE



Thickness / Epaisseur = 0.13 ± 0.07 mm

REF.14 - P. N°237-162
PUMP DIAPHRAGM
MEMBRANE DE POMPE A ESSENCE



Thickness / Epaisseur = 0.10 ± 0.063 mm

REF.11 - P. N° 91-1031
DIAPHRAGM COVER
COUVERCLE DE DIAPHRAGME

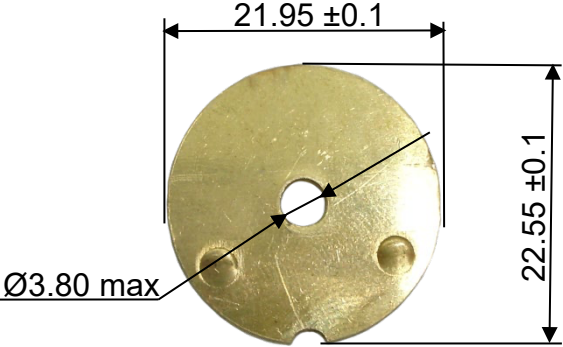
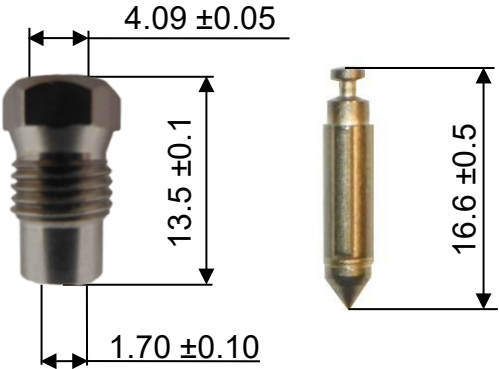
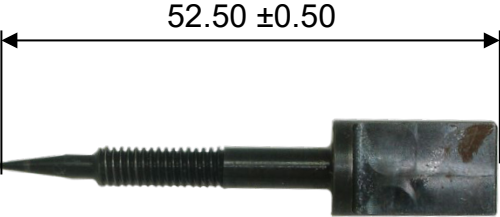
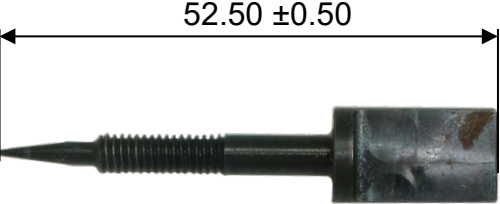




Thickness / Epaisseur = 6.75 ± 0.15 mm

REF.15 - P. N° 141-89
PUMP COVER
CORPS DE POMPE A ESSENCE



Thickness / Epaisseur = 12.5 ± 0.15 mm

<p>REF.37 - P. N° 14-A96 THROTTLE SHUTTER PAPILLON</p>  <p>Thickness / <i>Epaisseur</i> = 0.81 ± 0.1 mm</p>	<p>REF.27 - P. N° 233-720P SEAT + NEEDLE SIEGE + POINTEAU</p> 
<p>REF.21A - P. N° 43-1034 NEEDLE LOW SPEED VIS DE RAGLAGE BAS-REGIME</p> 	<p>REF.30A - P. N° 43-1034 NEEDLE HIGH SPEED VIS DE RAGLAGE HAUT-REGIME</p> 
<p>ALTERNATIVE NEEDLE FUEL POINTEAU ALTERNATIVE</p>	<p>HOLE FOR CARBURETTOR SEALING TROU POUR LE PLOMBAGE</p>
<p>REF.27 - P. N° 233-720P</p> 	<p>The carburettor can have this hole for sealing. <i>Le carburateur peut avoir ce trou pour le plombage</i></p>  <p>Ø3 HOLE / TROU</p>